

Micronics Networking and Training Inc

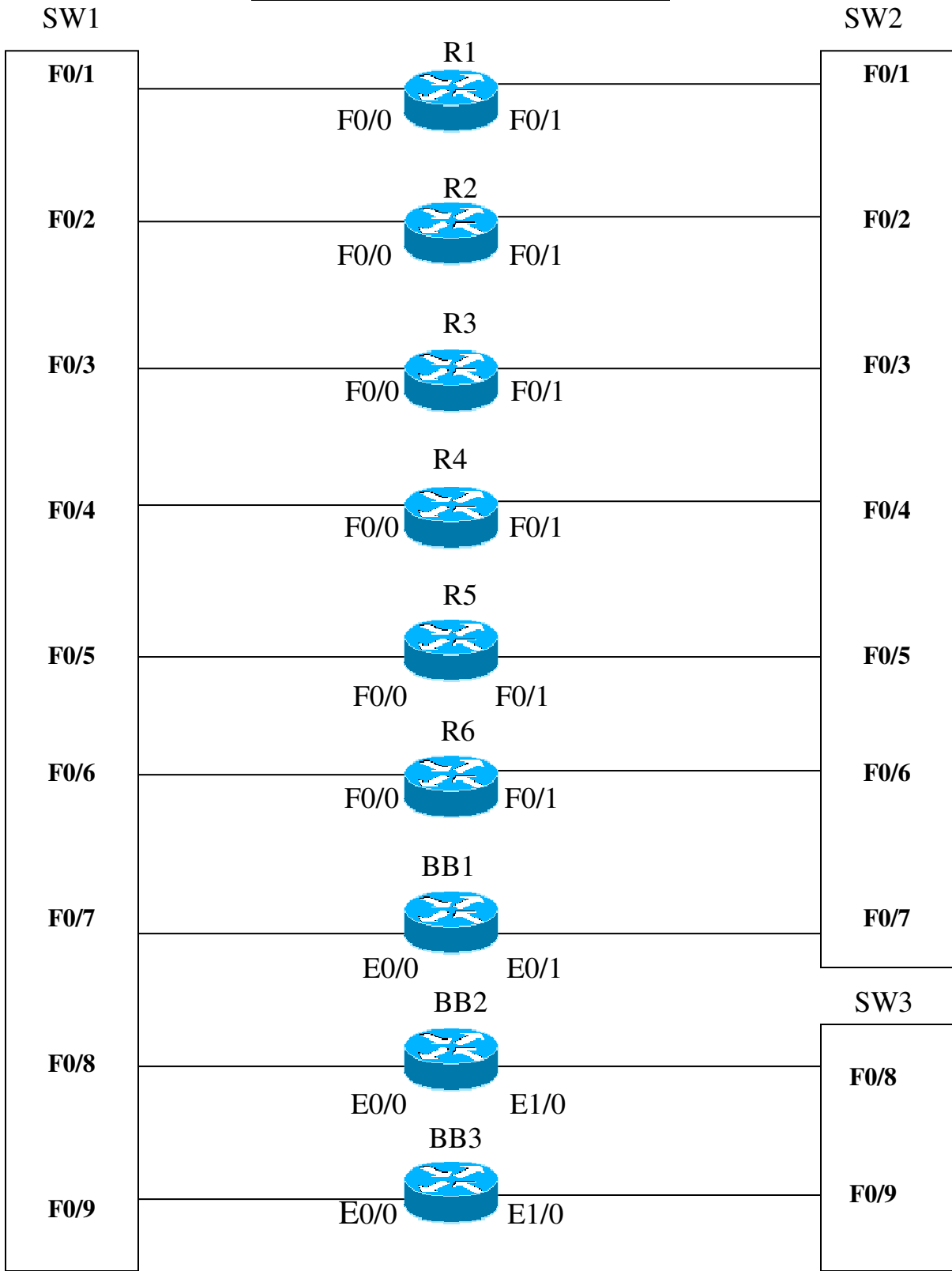
www.Micronicstraining.com

**CCIE ROUTING & SWITCHING
On
CCOnlineLabs.com Rack PDX-06,
PDX-07 and PDX-08**

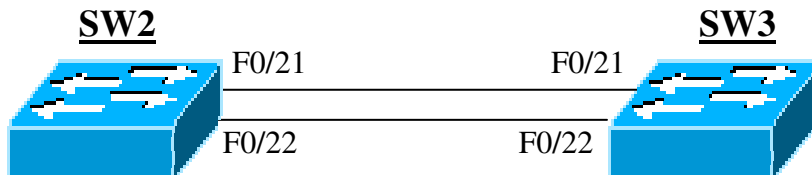
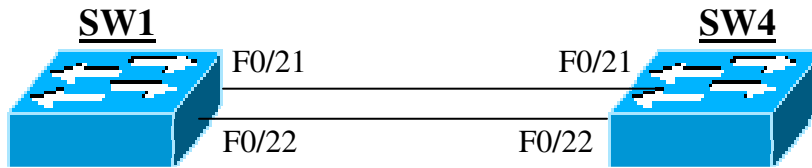
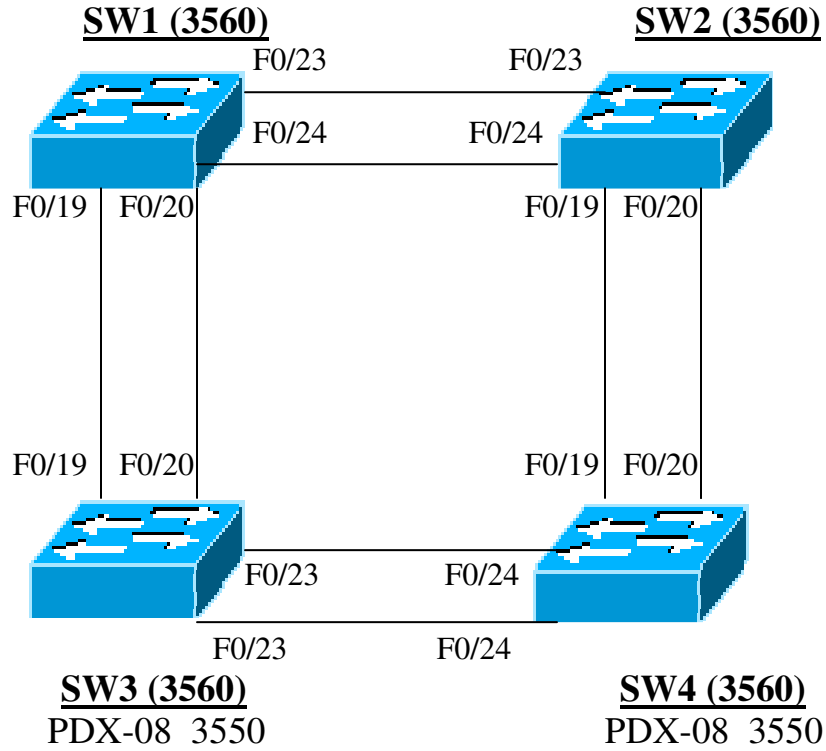
**Narbik Kocharians
CCIE #12410
R&S, Security, SP**

Topology

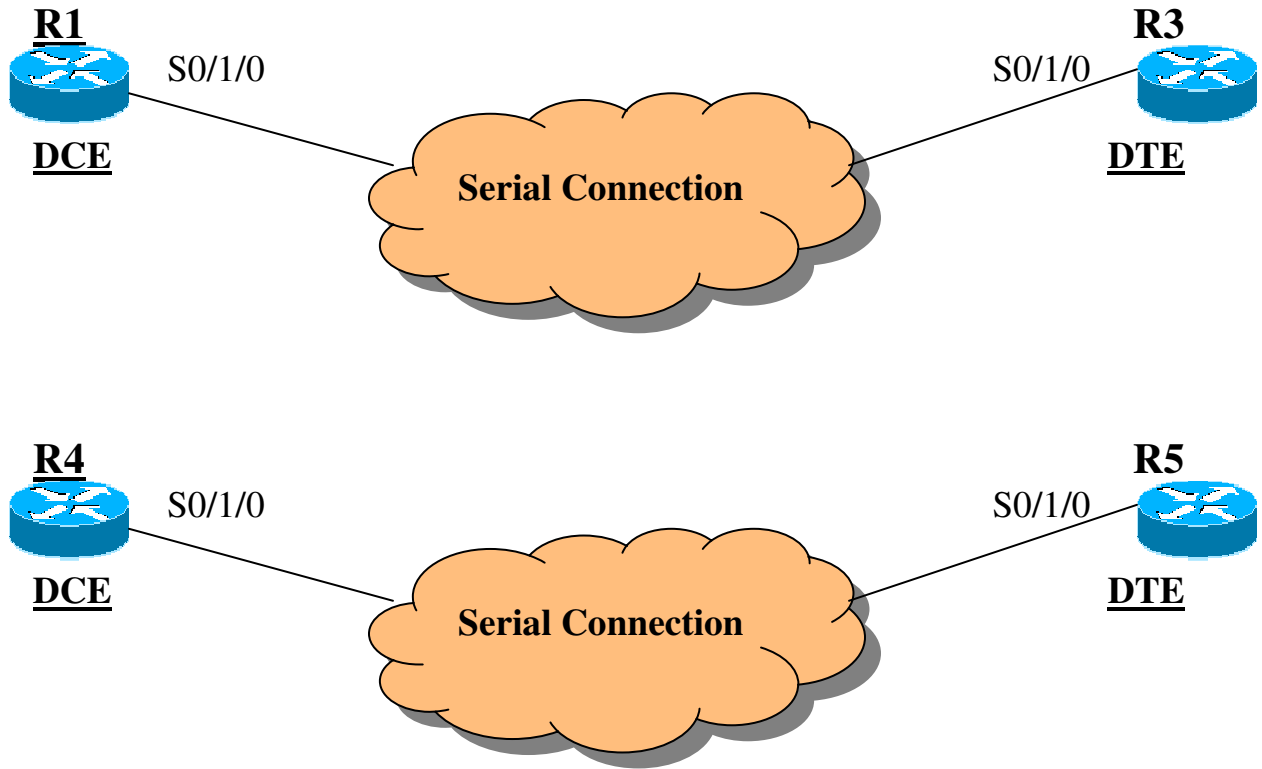
Router To Switch connection



Switch to Switch Connection



The Serial connection between R1 and R3



Frame-relay Switch connections

Frame-relay Switch

R1 S0/0/0



S1

R2 S0/0/0
R2 S0/1/0



S2

S0

R3 S0/0/0



S3

R4 S0/0/0



S4

R5 S0/0/0



S5

R6 S0/0/0



S6

Frame-relay DLCI connections:

Router	Local DLCI	Connecting to:
R1	102 112 103 104 105 106	R2 R2 R3 R4 R5 R6
R2	201 211 203 204 205 206	R1 R1 R3 R4 R5 R6
R3	301 302 304 305 306	R1 R2 R4 R5 R6
R4	401 402 403 405 406	R1 R2 R3 R5 R6
R5	501 502 503 504 506	R1 R2 R3 R4 R6
R6	601 602 603 604 605	R1 R2 R3 R4 R5